

ELECTRO-MECHANO Drill Presses

Special Promotion

Fall 2009

\$150.00

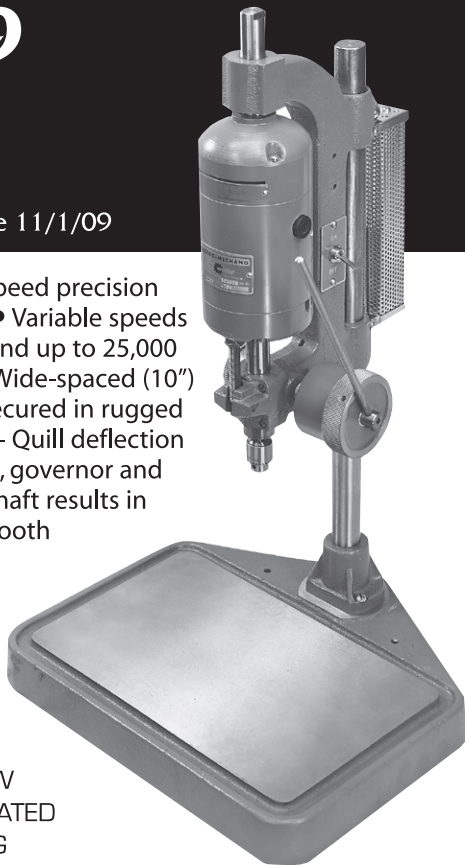
Instant Rebate

On all orders placed before 11/1/09

- Four 8" models for high speed precision drilling from .004" to 5/32"
- Variable speeds from 1,000 to 15,000 RPM and up to 25,000 RPM with SCR controller
- Wide-spaced (10") extra-long quill bushings secured in rugged yoke eliminates side play — Quill deflection .001" maximum
- Armature, governor and chuck mounted on single shaft results in minimum vibration and smooth operation at all speeds.



SEND
FOR NEW
ILLUSTRATED
CATALOG



EM

ELECTRO-MECHANO

3712 West Elm Street • Milwaukee, WI 53209
Phone (414) 247-1127 • FAX (414) 247-1365
electro_mechano@sbcglobal.net